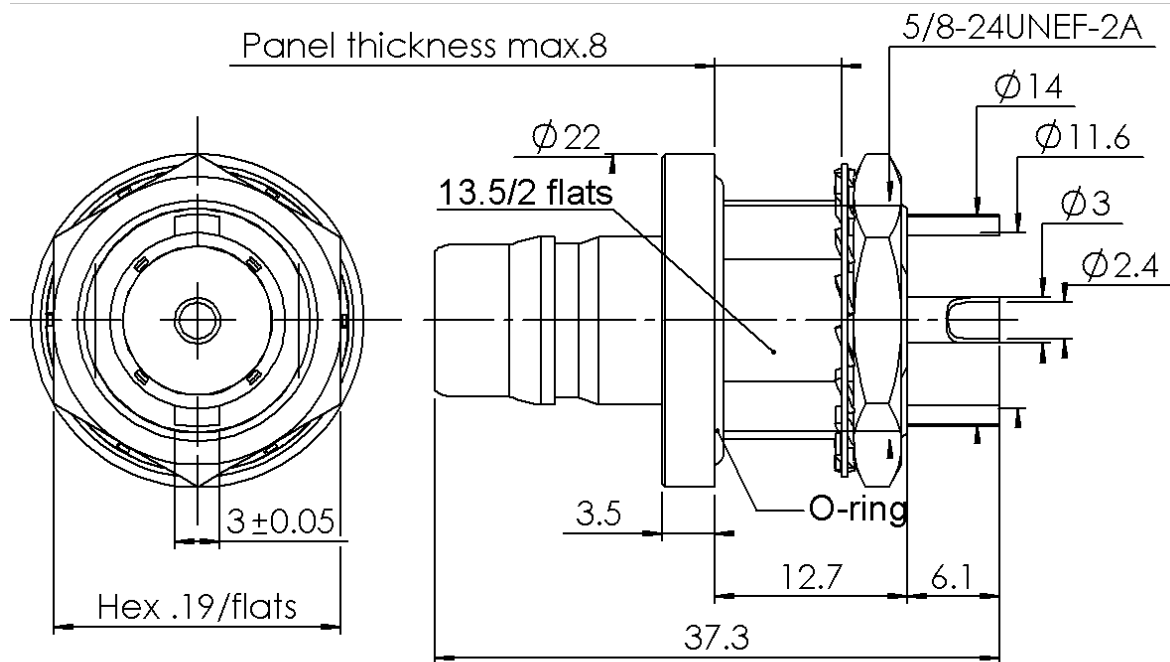


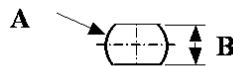
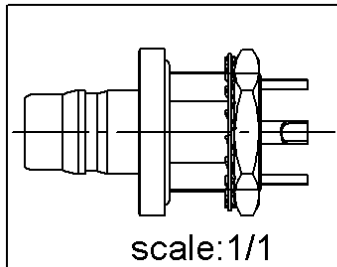
**BULKHEAD JACK RECEPTACLE  
WITH SOLDER POT CONTACT**

**R164.587.130**

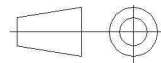
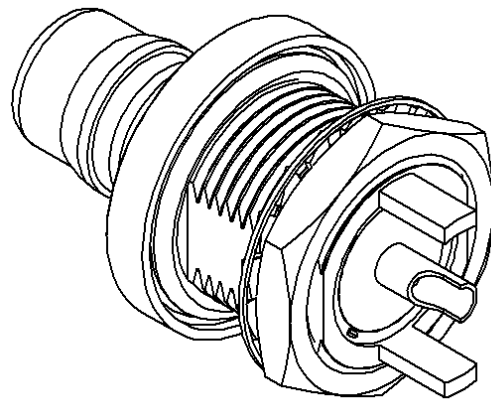
Series : QN



**PANEL CUT OUT**



mm		
	Maxi	mini
A	16.3	16
B	13.9	13.6



All dimensions are in mm.

COMPONENTS	MATERIALS	PLATING ( $\mu\text{m}$ )
BODY	LAITON	BBR 0.5 SUR ARGENT 3
CENTER CONTACT	BERYLLIUM COPPER	OR 0.5 SUR NICKEL 2
OUTER CONTACT		
INSULATOR	PTFE	
GASKET	SILICONE RUBBER	
OTHERS PARTS	LAITON	BBR 2
-	-	-
-	-	-

Issue : 0708 B

In the effort to improve our products, we reserve the right to make changes judged to be necessary.



**BULKHEAD JACK RECEPTACLE  
WITH SOLDER POT CONTACT**

**R164.587.130**

Series : QN

**PACKAGING**

Standard	Unit	Other
<b>50</b>	<b>'W' option</b>	<b>Contact us</b>

**SPECIFICATION**

**ELECTRICAL CHARACTERISTICS**

Impedance	<b>50</b>	$\Omega$
Frequency	<b>0-6</b>	GHz
VSWR	<b>1.05 + 0,0250</b>	x F(GHz) Maxi
Insertion loss	<b>0.048</b>	$\sqrt{F}$ (GHz) dB Maxi
RF leakage	<b>90</b>	- F(GHz)) dB Maxi
Voltage rating	<b>1000</b>	Veff Maxi
Dielectric withstanding voltage	<b>2000</b>	Veff mini
Insulation resistance	<b>5000</b>	M $\Omega$ mini

**ENVIRONMENTAL**

Operating temperature	<b>-55/+125</b>	$^{\circ}$ C
Hermetic seal	<b>NA</b>	Atm.cm3/s
Panel leakage	<b>NA</b>	

**OTHER CHARACTERISTICS**

Assembly instruction **NA**

Others :  
USABLE 0-11GHz  
RF Leakage:-80dB min 3<F<6GHz  
Coaxial transmission only

**MECHANICAL CHARACTERISTICS**

Center contact retention		
Axial force – Mating end	<b>27</b>	N mini
Axial force – Opposite end	<b>27</b>	N mini
Torque	<b>NA</b>	N.cm mini
Recommended torque		
Mating	<b>NA</b>	N.cm
Panel nut	<b>500</b>	N.cm
Mating life	<b>100</b>	Cycles mini
Weight	<b>33,2500</b>	g

Issue : 0708 B

In the effort to improve our products, we reserve the right to make changes judged to be necessary.

**RADIALL** 